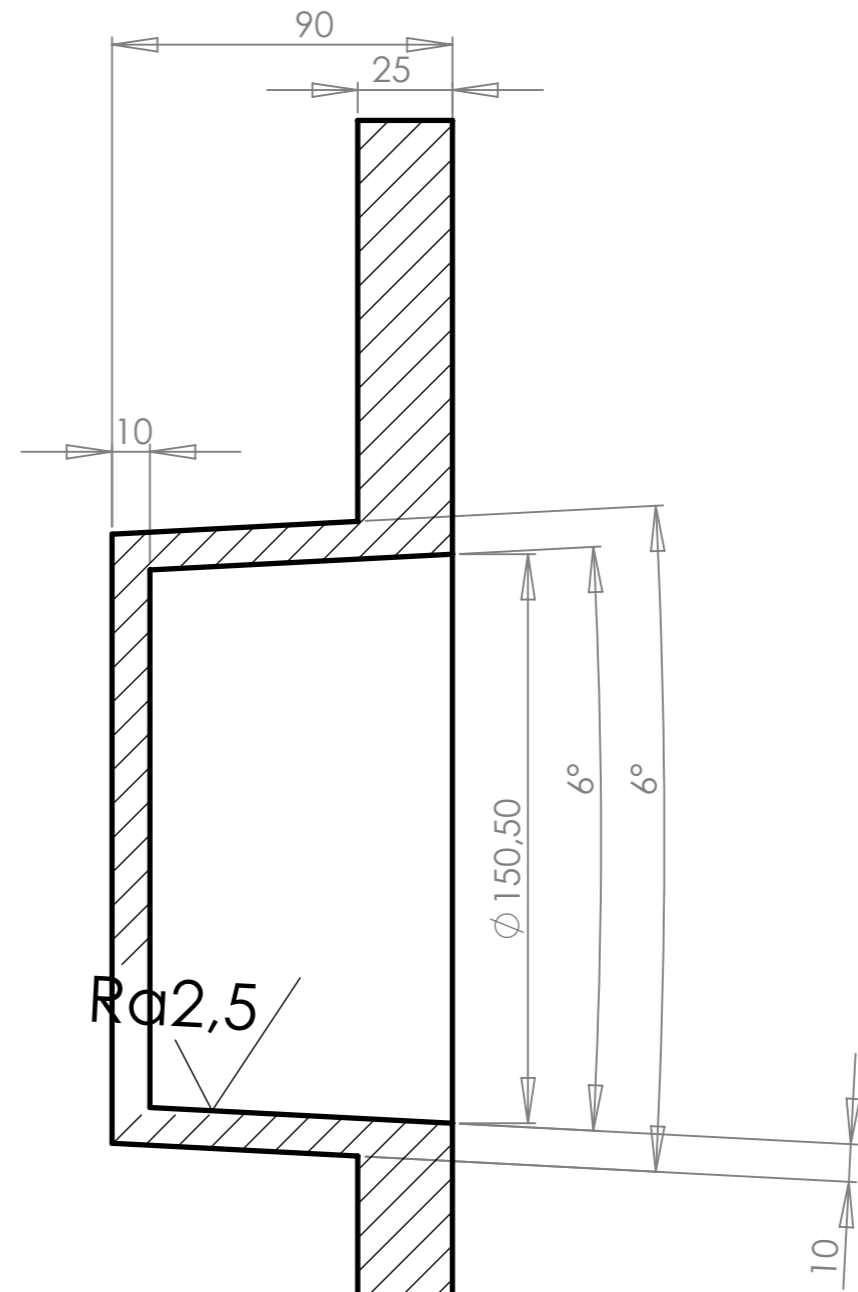


Ra12.5



SECTION C-C
SCALE 1 : 2
1. H14; h14 ±T14/2

UNLESS OTHERWISE SPECIFIED: DIMENSIONS ARE IN MILLIMETERS SURFACE FINISH: TOLERANCES: LINEAR: H14; h14 ±IT14/2 ANGULAR: +/- 30'				FINISH: Ra12,5		DEBUR AND BREAK SHARP EDGES		DO NOT SCALE DRAWING		REVISION	
DRAWN				NAME		SIGNATURE		DATE		TITLE:	
CHK'D				Kravalis				20.05.14		Kristalizators	
APPV'D				Sobojevs							
MFG				Platacis							
Q.A											
						MATERIAL:		RO4251		DWG NO: BT00.002.005.001	
						WEIGHT:				SCALE:1:5	
										SHEET 1 OF 1	

**SolidWorks Educational Edition.
For Instructional Use Only.**